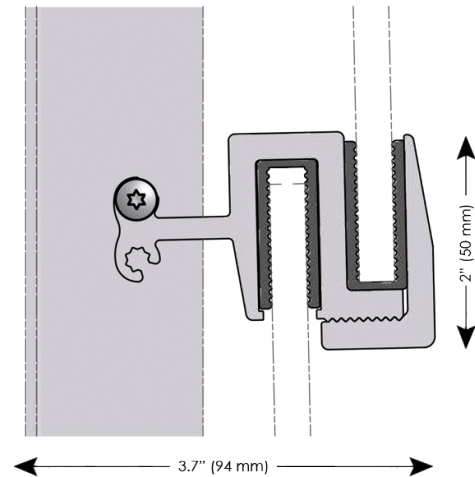
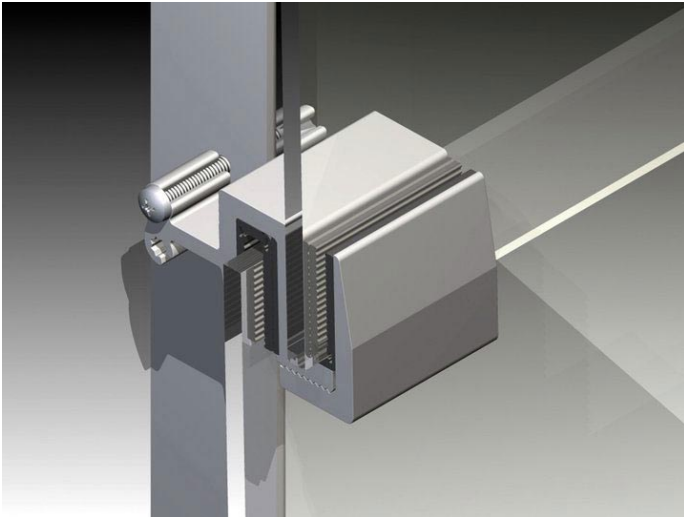


## Wall-LH Compression Fitting for Interior Glass Cladding Systems



### Composition:

Aluminum, including 40%-50% recycled content

### Application:

Interior

### Installation:

Installation is relatively easy and does not require any previous training or special expertise. The fittings can be affixed to steel, aluminum, timber, or other substructures.

### Approx Dimensions:

Approx. fitting face size: Width = 2" (50 mm), Height = 2" (50 mm)

### Maintenance:

Fittings are typically supplied with the recommended "silver" powder coated or clear anodized finish, and do not require special maintenance.

## Options & Customizations:

Custom colors (powder coated) can be specified in a virtually unlimited palette to match other architectural finishes on the project. The desired color can be specified by providing a RAL color. Pantone® & other color systems will be translated to their closest RAL color match.

