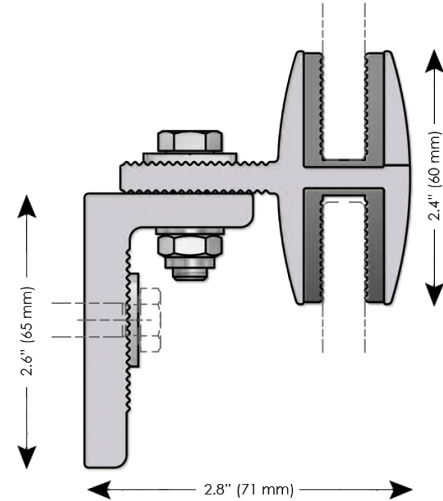


Wall-F Compression Fitting for Glass Cladding Systems



Composition:

Aluminum, including 40%-50% recycled content

Application:

Interior, Exterior

Installation:

Installation is relatively easy and does not require any previous training or special expertise. The fittings can be affixed to steel, aluminum, timber, or other substructures.

Approx Dimensions:

Approx. fitting face size: Width = 2.75" (70 mm), Height = 2.4" (60 mm)

Maintenance:

Fittings are typically supplied with the recommended "silver" powder coated or clear anodized finish, and do not require special maintenance.

Testing:

Bendheim Wall Systems' glass rainscreen systems are rigorously tested in accordance with ASTM and AAMA requirements for Water Penetration, Pressure Equalization, Air Leakage, and Structural Performance. Wall-F fittings have been fully tested in accordance with ASTM E330-02, AAMA 509-09 & AAMA 508-07. Wall-F classification: V12/W1 (stops over 90% of the water that could potentially reach the air & vapor barrier of the building. The remaining less than 10% of water is gradually dissipated through drainage and evaporation; ; test results available on request from rainscreens@bendheim.com). Test AAMA 508-07 is used for "Pressure Equalized Rainscreen Wall Cladding Systems." Pressure equalization prevents moisture ingress and/or helps the drainage of any moisture that finds its way behind the glass. Test AAMA 509-09 is used for "Drained and Back Ventilated Rainscreen Wall Cladding Systems." It tests whether systems are designed to manage and drain any water entering behind the cladding, and are sufficiently vented to allow the cavity to dry.

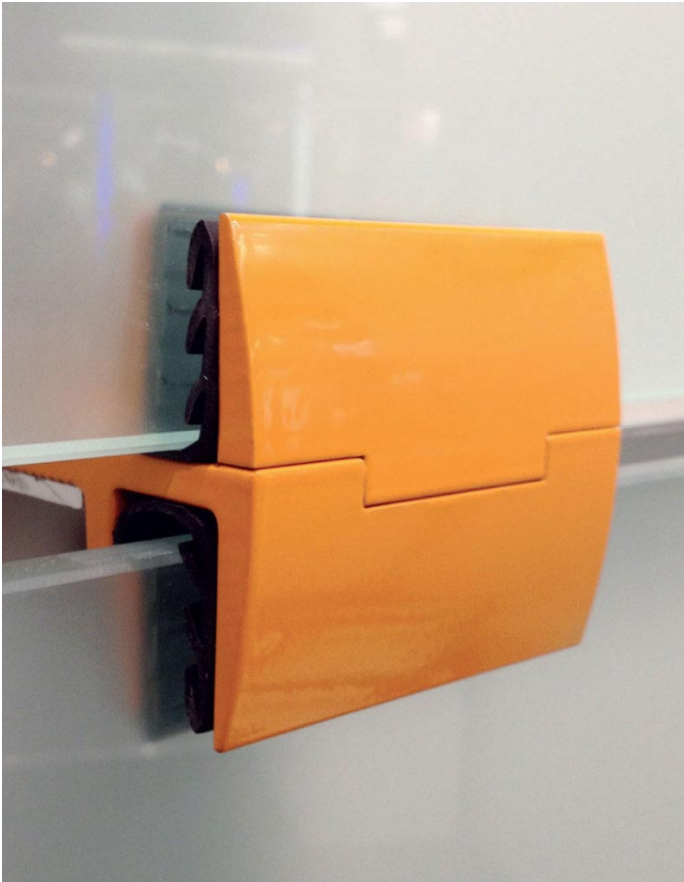
Potential Leed Credit:

- IEQ Credit 8.1: Daylight & Views: Daylight 75% of Spaces
- IEQ Credit 8.2: Daylight & Views: Views for 90% of Spaces

Options & Customizations:

Options & Customization

Custom colors (powder coated) can be specified in a virtually unlimited palette to match other architectural finishes on the project. The desired color can be specified by providing a RAL color. Pantone® & other color systems will be translated to their closest RAL color match.



Working on a project that requires customizing this product? Custom design is our specialty.
Please contact your [local Bendheim representative](#) to discuss your project and vision.