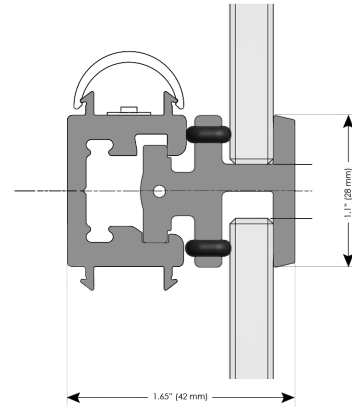
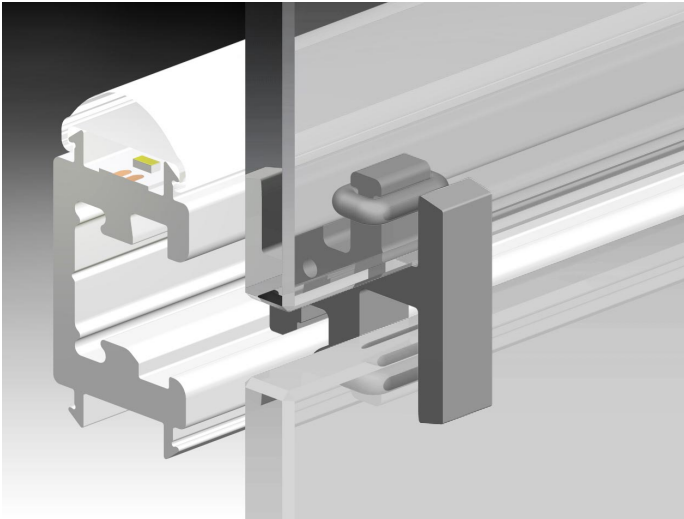


TurnKey™ System for Back-Lit Glass Walls & Ceilings



Composition:

Powder-coated aluminum

Application:

Interior

Installation:

Installation is quick and easy, and does not require any previous special training or expertise. Optional end caps and kick plates are available where required.

Approx Dimensions:

- Approx. system depth (channel + fitting): 1.65" (42 mm)
- Approx. fitting face size: Width = 5/16" (8 mm), Height = 1.10" (28 mm)
- Channel stock length: 10 ft.
- Optional trims and end caps for exposed-edge applications: 10 ft. lengths
- Max. glass panel size, supported by 2 TurnKey clips at the bottom = 6' x 3' (vertical or horizontal); greater glass thickness or additional clips can be specified to accommodate larger panels

Maintenance:

Fittings and channels are typically supplied with the recommended powder coated finish, and do not require special maintenance.

Testing:

Passed the ASTM-E330 structural test with 80 psf positive pressure and 30 psf negative pressure, surpassing requirements. Tested fitting weight capacity is 200 lbs per fitting.

Options & Customizations:

Custom colors (powder coated) can be specified in a virtually unlimited palette to match or contrast the glass panels and other architectural finishes on the project. The desired color can be specified by providing a RAL color. Pantone® & other color systems will be translated to their closest RAL color match.