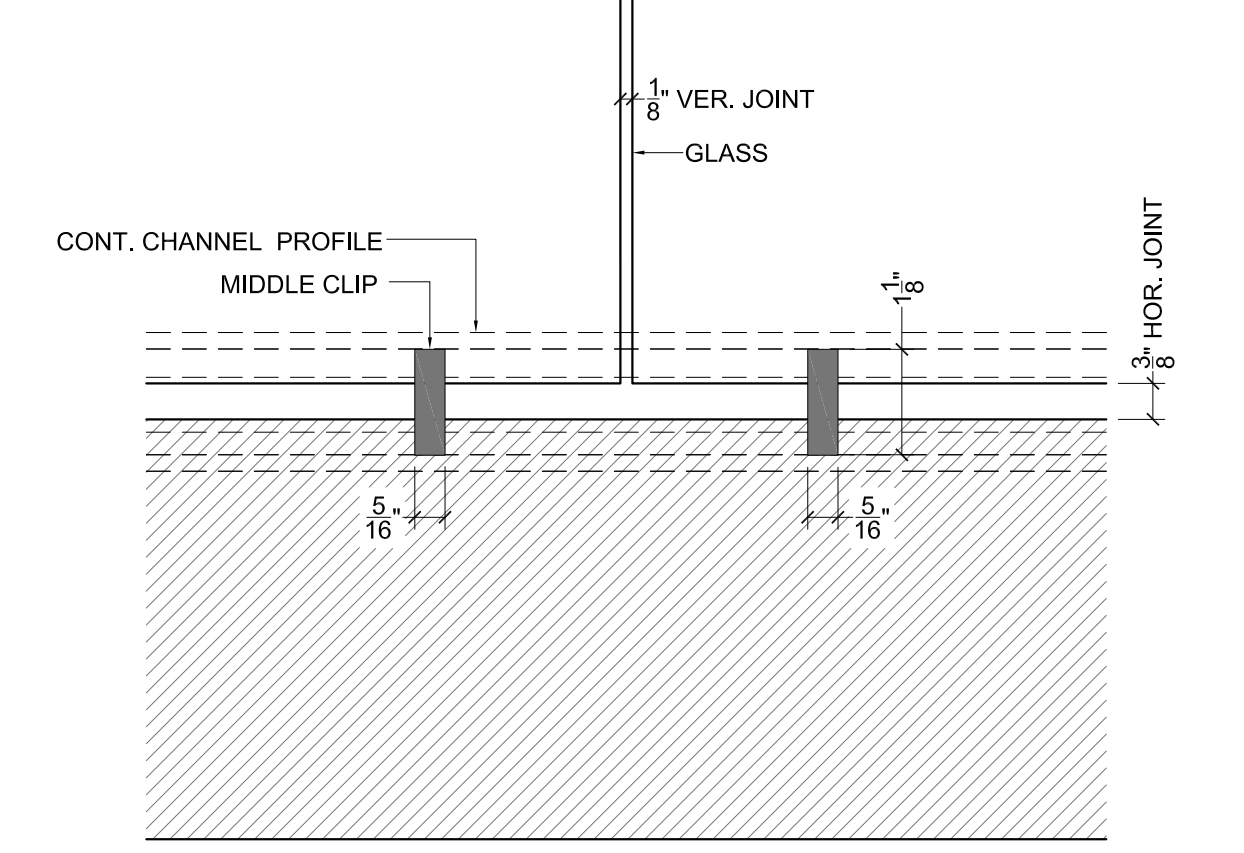
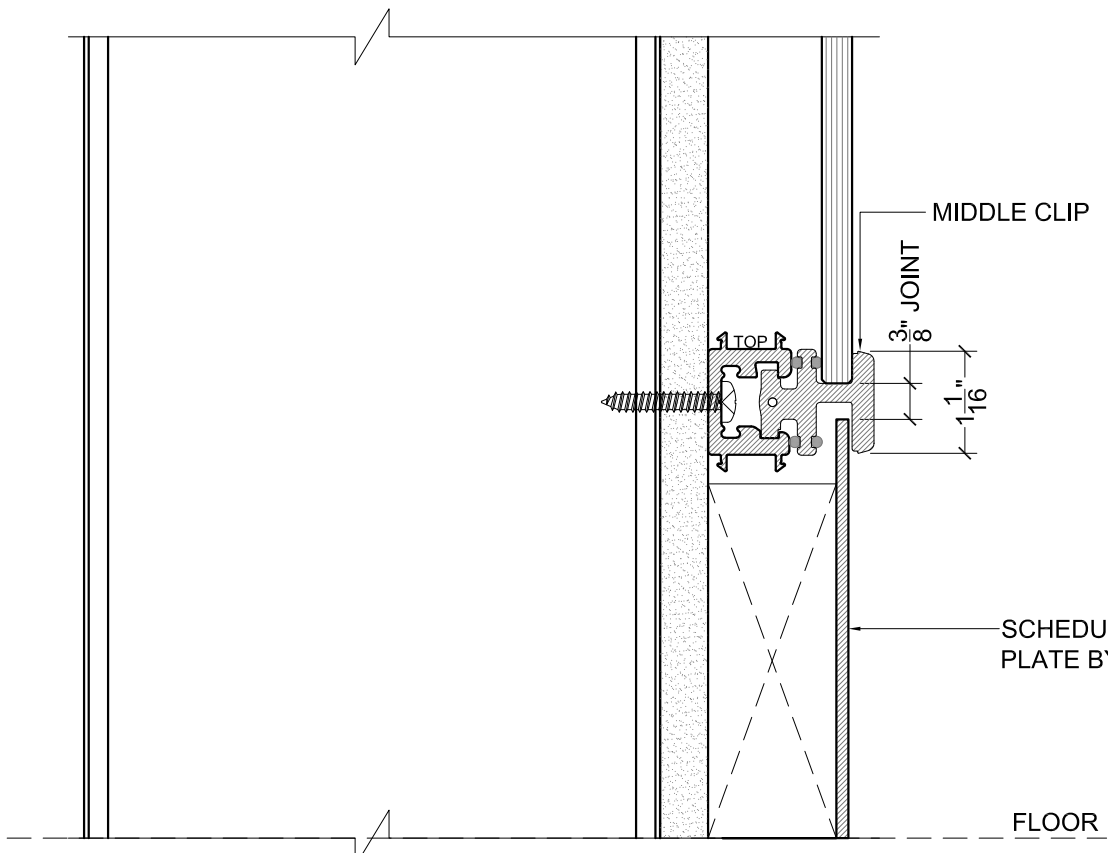
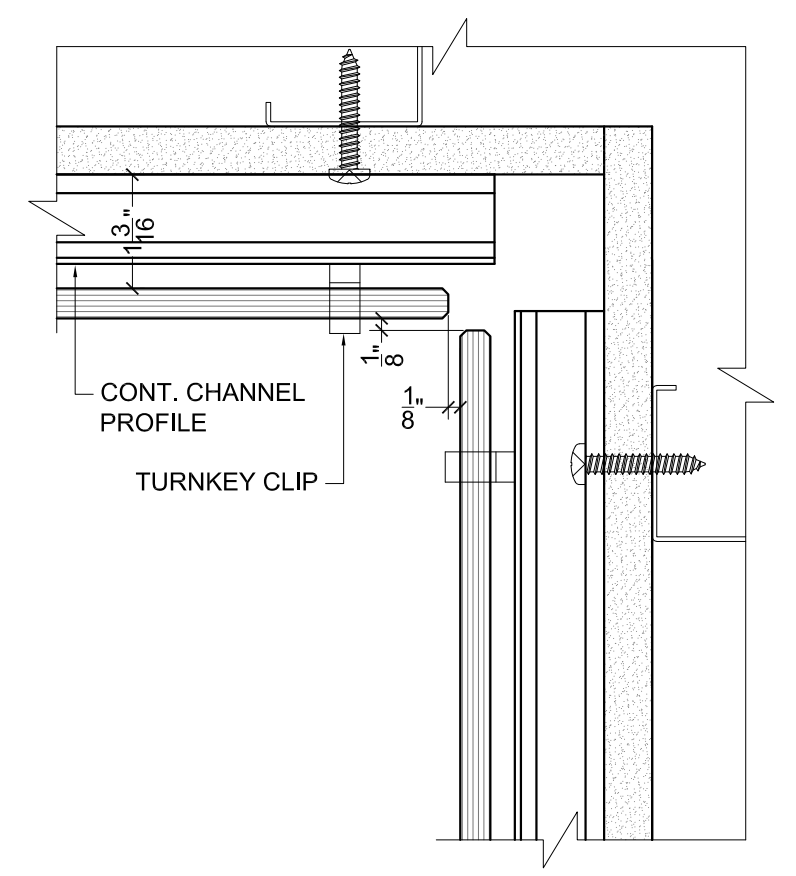
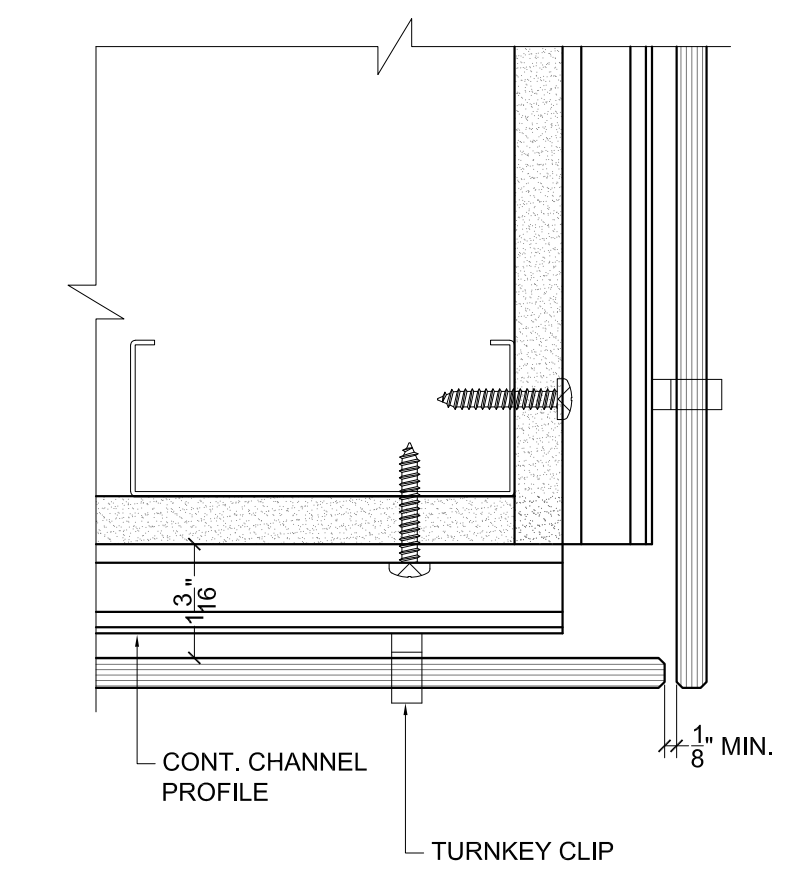
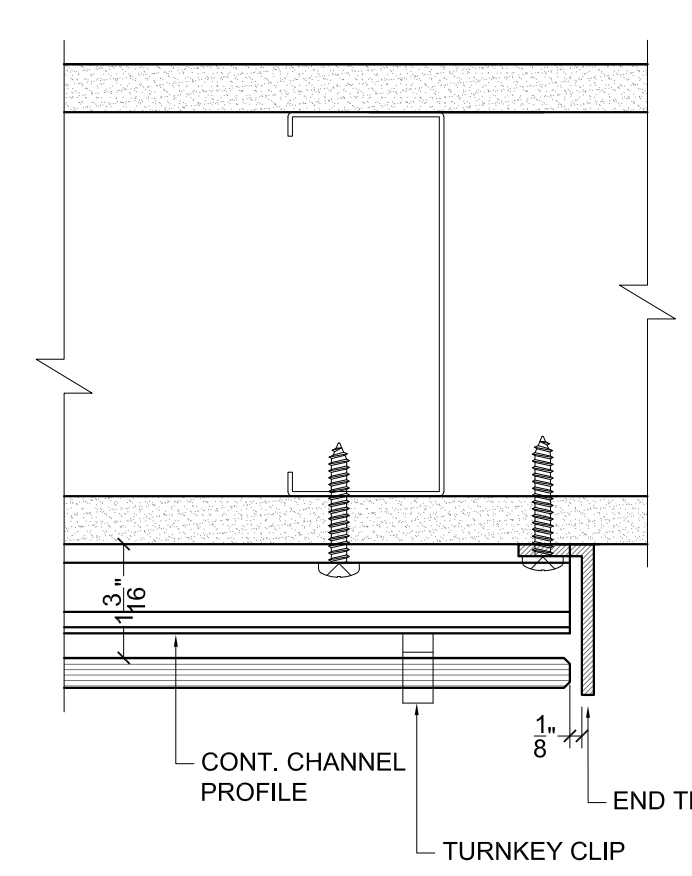
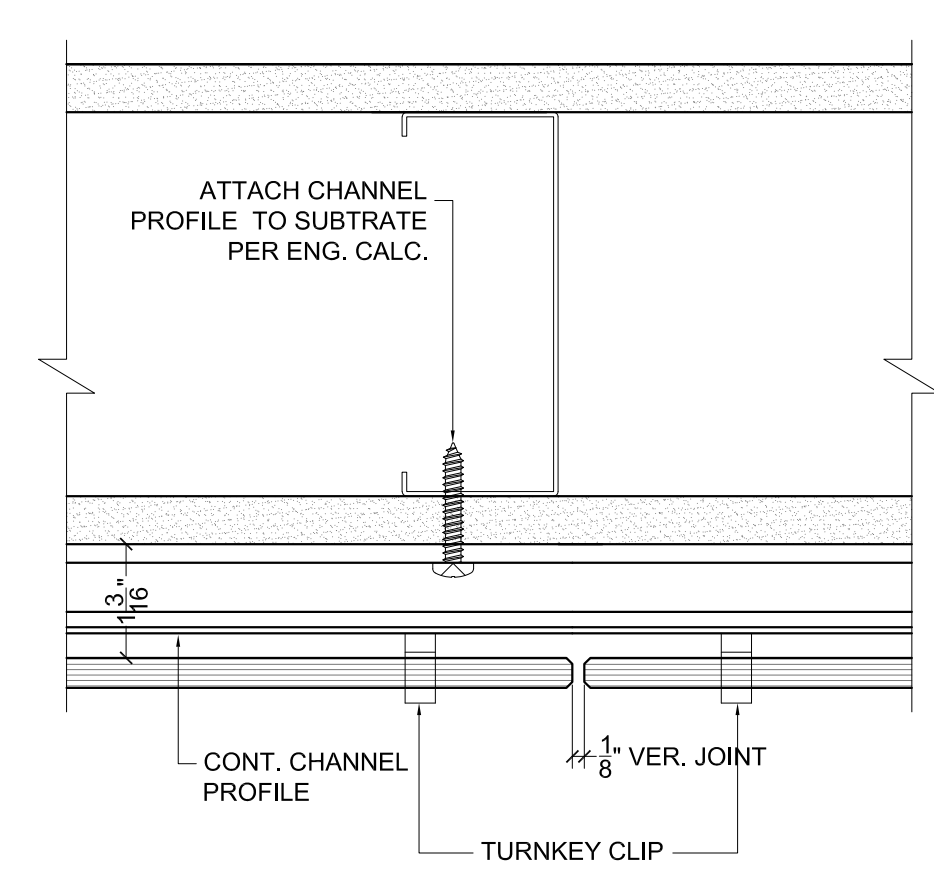
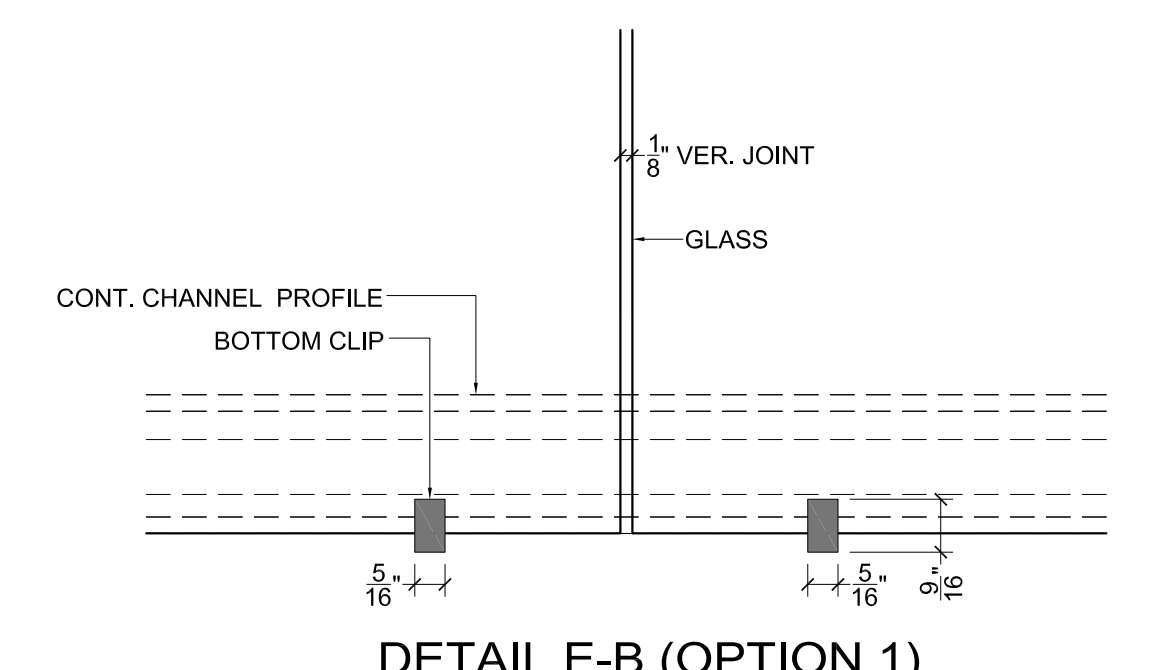
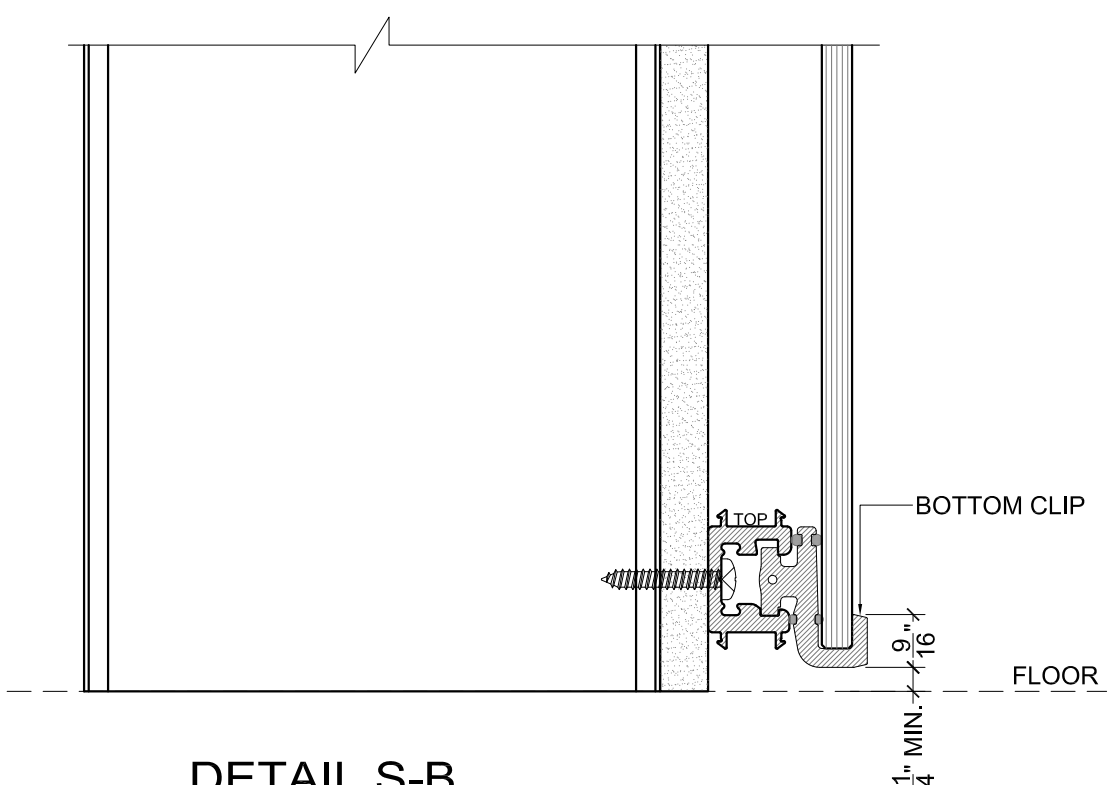
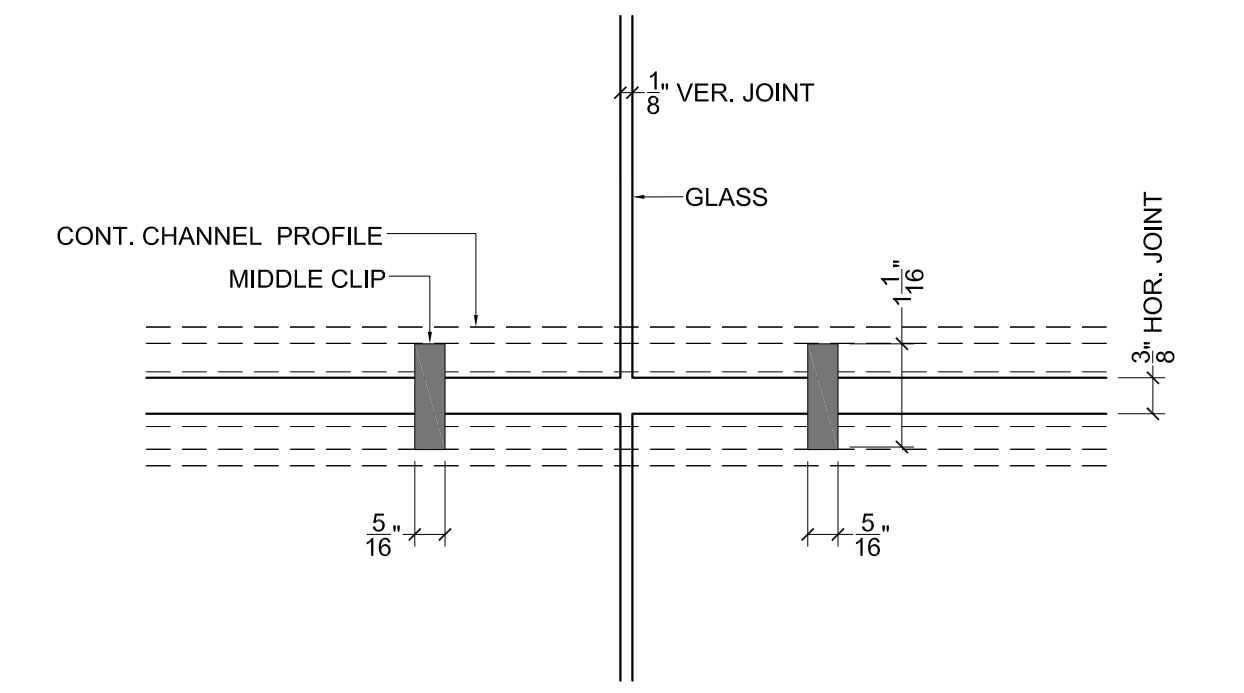
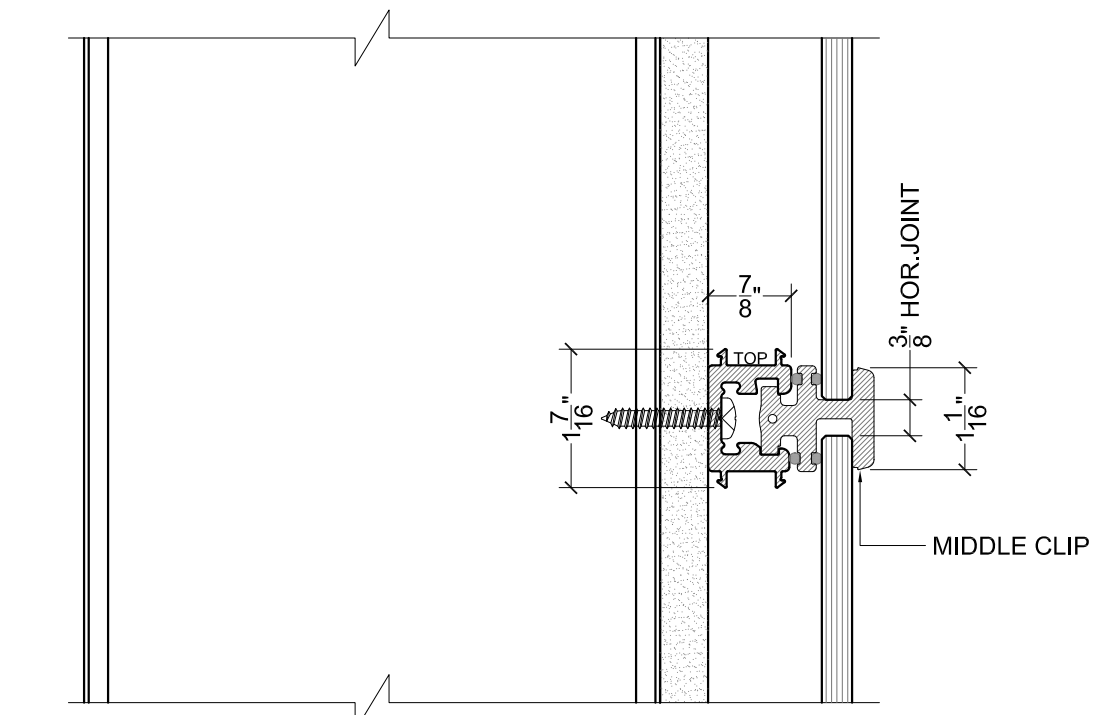
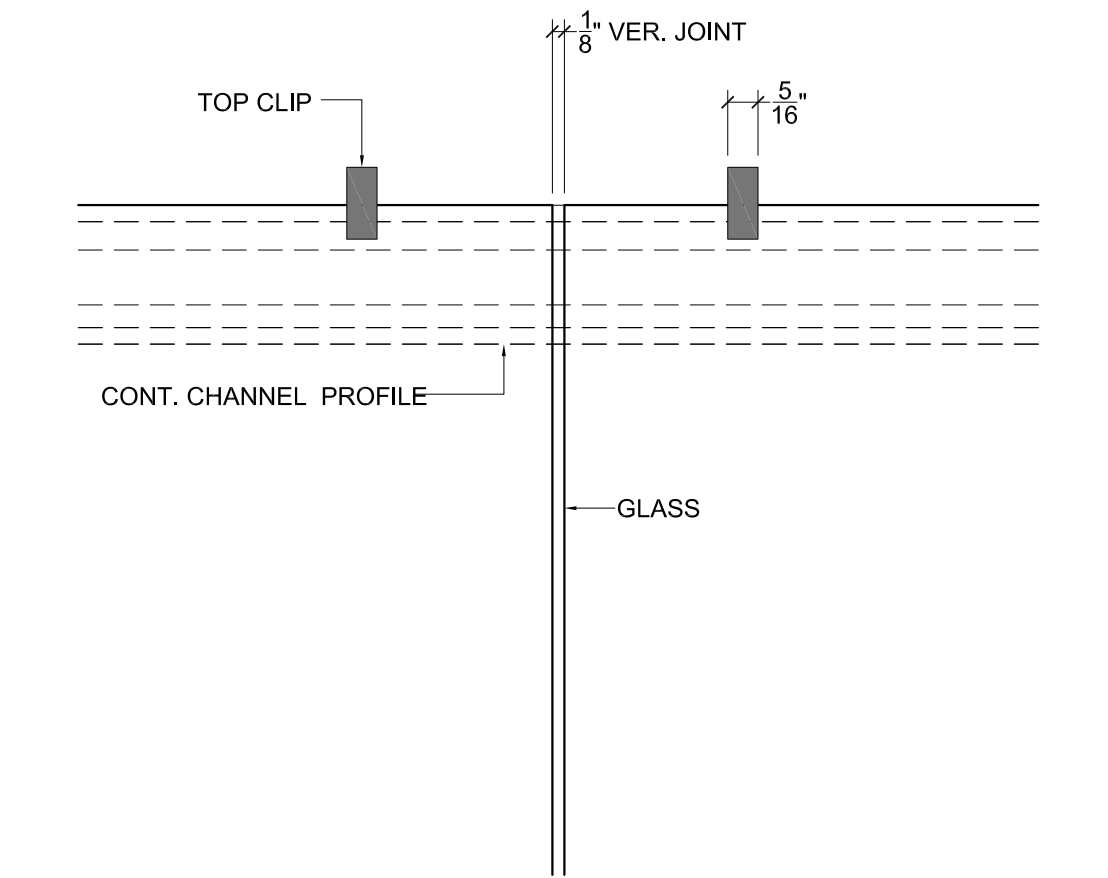
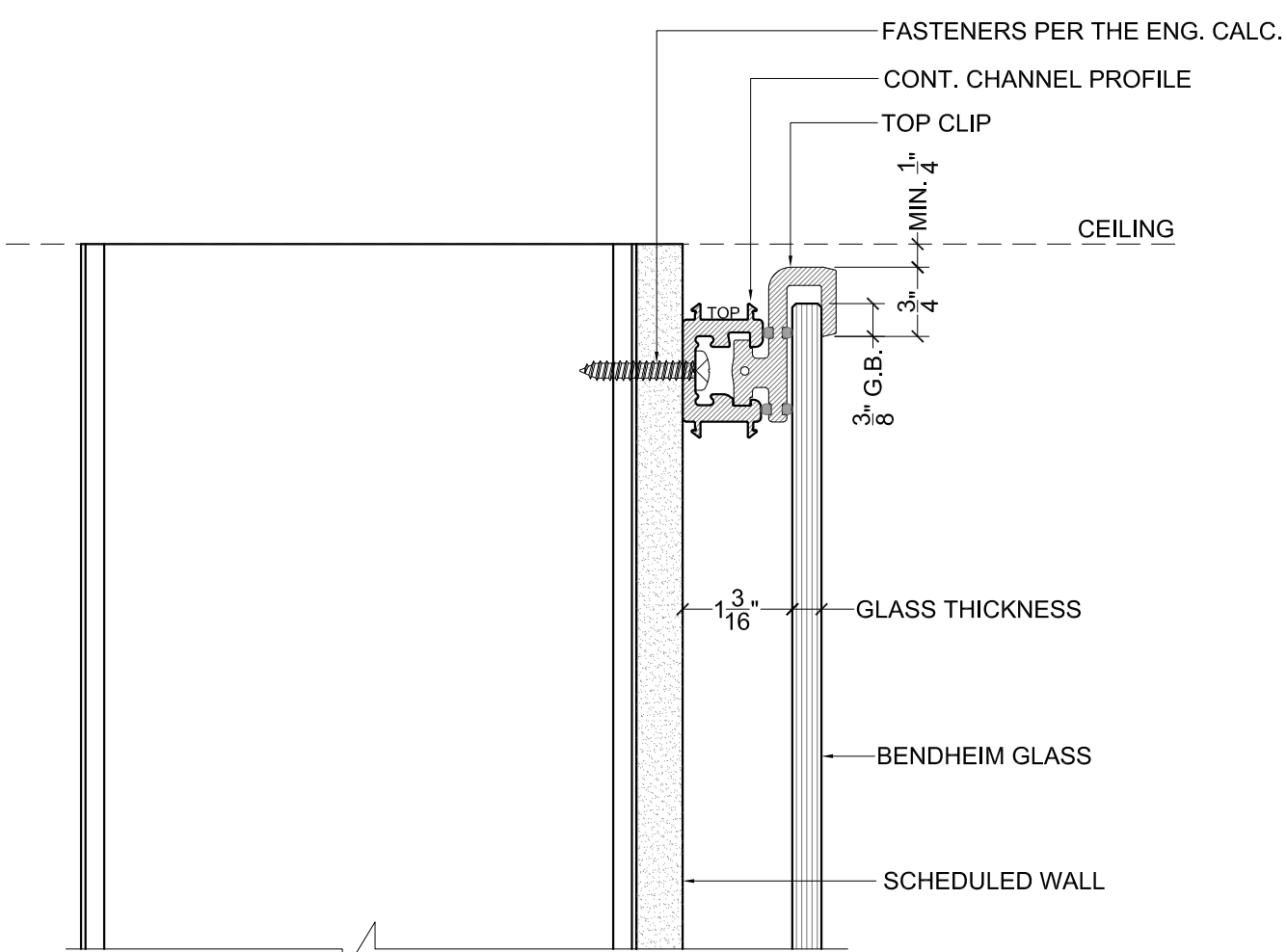
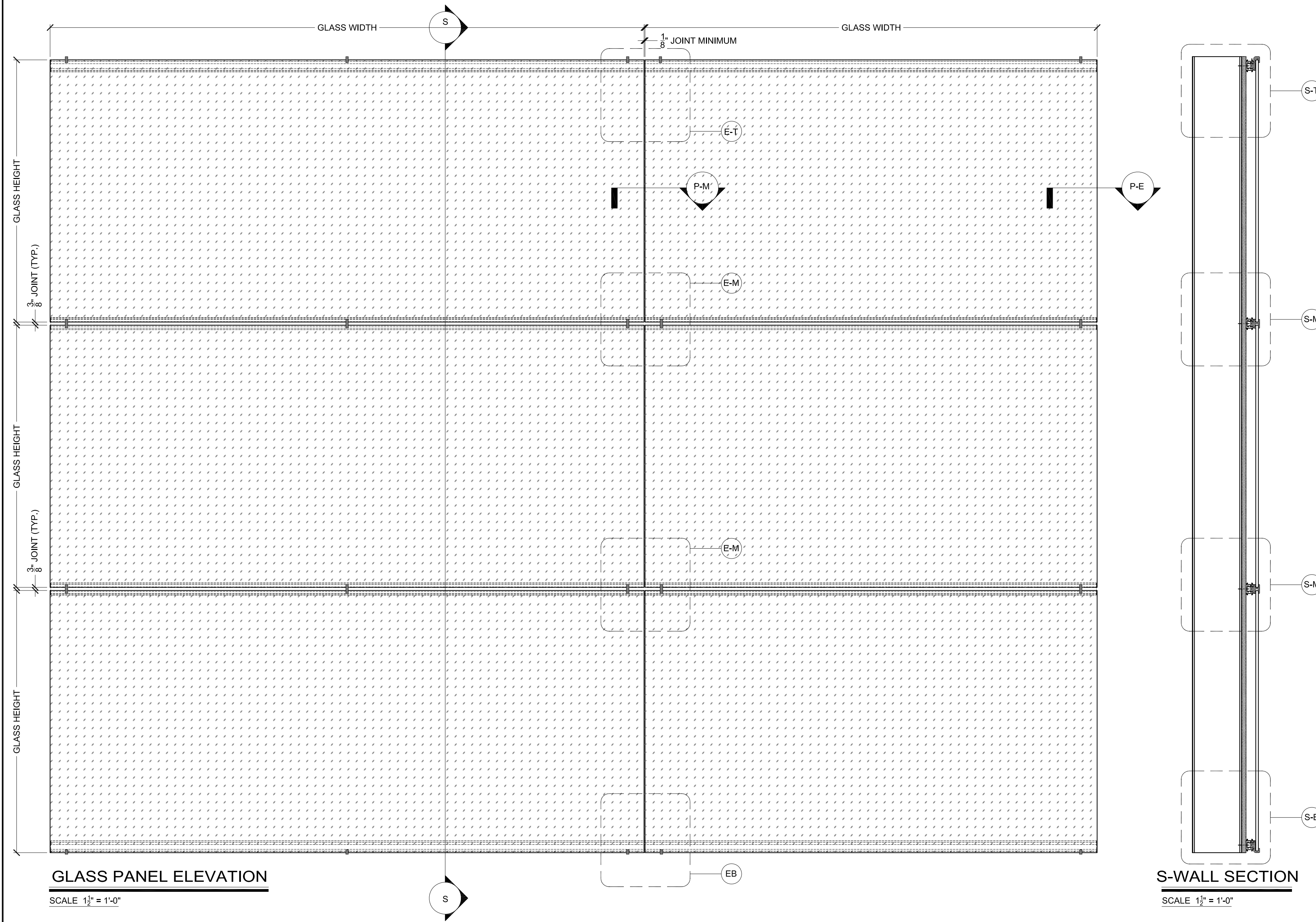




ALL DESIGNS PATENTED AND PROTECTED.

BENDHEIM TURNKEY - WALL



DETAIL P-M
SCALE 6" = 1'-0"

DETAIL P-E
SCALE 6" = 1'-0"

PLAN DETAIL - OUTER CORNER
SCALE 6" = 1'-0"

PLAN DETAIL - INNER CORNER
SCALE 6" = 1'-0"

DETAIL S-B (BASE PLATE OPTION)
SCALE 6" = 1'-0"

DETAIL E-B (OPTION 2)
SCALE 6" = 1'-0"