

INSTALLATION INSTRUCTIONS

TOOLS REQUIRED

- Drill/Screw Gun
- 1/8" Drill Bit
- Level
- Tape Measure
- Pencil
- Safety Gloves
- Safety Goggles
- Jigsaw

HARDWARE PROVIDED

Hardware Bag Contains:

- (6) 2" #12 Drywall-to-Wood Screws
- (6) 2" #12 Drywall-to-Metal Self-Drilling Screws
- (1) Wall Bracket
- Velcro Wall Protectors

Note: (1) hardware bag is provided for 2'x3' and 3'x4' boards; (2) hardware bags are provided for 4'x6' and 4'x8' boards

INSTALLATION INSTRUCTIONS

1. Measure down 5/16" from the top of the desired location of the board.
2. Draw a Level line to align the top edge of the Wall Bracket.
Note: For portrait installation, wall bracket must be cut. See **Table 1** on next page for bracket length.
3. Align holes in Wall Bracket with wall studs. Pre-drill holes into wall studs.
Note: See **Table 2** on next page for minimum anchor points needed for each board.
4. Install Wall Bracket into building structure or wall studs (wood or metal) (**Fig. A**).
5. Ensure screws are flush with the face of the wall bracket to prevent scratching.
6. Mount the board on to Wall Bracket (**Fig. B & C**).
7. Adhere Velcro Wall Protectors on the bottom hem of the board.
8. Confirm the board is securely hung on the Wall Bracket.



Fig. A



Fig. B

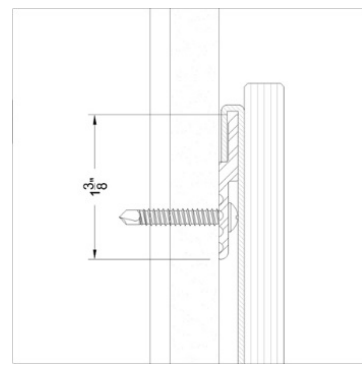


Fig. C

Please visit <https://www.youtube.com/watch?v=9eNtR24d794> for an installation video.

INSTALLATION INSTRUCTIONS (CONT.)

Portrait Installation Wall Bracket Length			
2' x 3' Board	3' x 4' Board	4' x 6' Board	4' x 8' Board
Cut to 20"	Cut to 32"	Cut to 44"	Cut to 44"

Table 1: Wall bracket lengths required to install each board in portrait orientation

Minimum Structural Studs Required for Support				
	2' x 3' Board	3' x 4' Board	4' x 6' Board	4' x 8' Board
Landscape Orientation	2	3	4	5
Portrait Orientation	2	2	3	3

Table 2: Minimum structural studs required for support for each size board

MAINTENANCE & CARE

COMPATIBLE MARKERS & ACCESSORIES

A variety of markers are compatible with Bendheim glass marker boards, including:

- Dry-erase markers
- Wet-erase markers (neon pens, liquid chalk, etc.)
- Permanent markers

Ultra-strong rare-earth magnets are recommended for best results. Magnetic accessories, including magnets, erasers, and marker trays, are available from Bendheim.

CLEANING THE BOARD

Bendheim glass marker boards are easy to maintain:

- Dry-erase marker can be removed with any standard dry-erase eraser
- Wet-erase marker can be removed using water or conventional glass cleaner and lint-free cloth (terry cloth)
- Permanent marker can be removed using conventional glass cleaner and a lint-free cloth

Additionally, it is recommended to occasionally clean the glass surface with warm water or conventional glass cleaner and a lint-free cloth to keep the board looking new.