

NOTE:

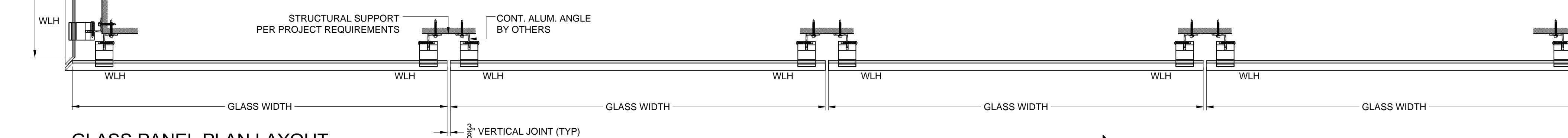
WALL-LH PROVIDES HORIZONTALLY OVERLAPPING GLAZING PANELS. DEVELOPED FOR INTERIOR WALLS OR EXTERIOR WALLS IN CERTAIN LOCATION WITH LOW WIND LOAD. THE SYSTEM HELP MINIMIZE THE HORIZONTALLY DRIVEN RAIN FROM ACCESSING THE BUILDING ENVELOPE. THE FITTINGS ARE EASY TO ADJUST TO ACCOMMODATE FIELD CONDITIONS. UNLIKE OTHER SYSTEMS, INDIVIDUAL GLASS PANELS CAN BE REPLACED WITHOUT HAVING TO DEGLAZE SURROUNDING PANELS.

ALL DESIGNS PATENTED AND PROTECTED.



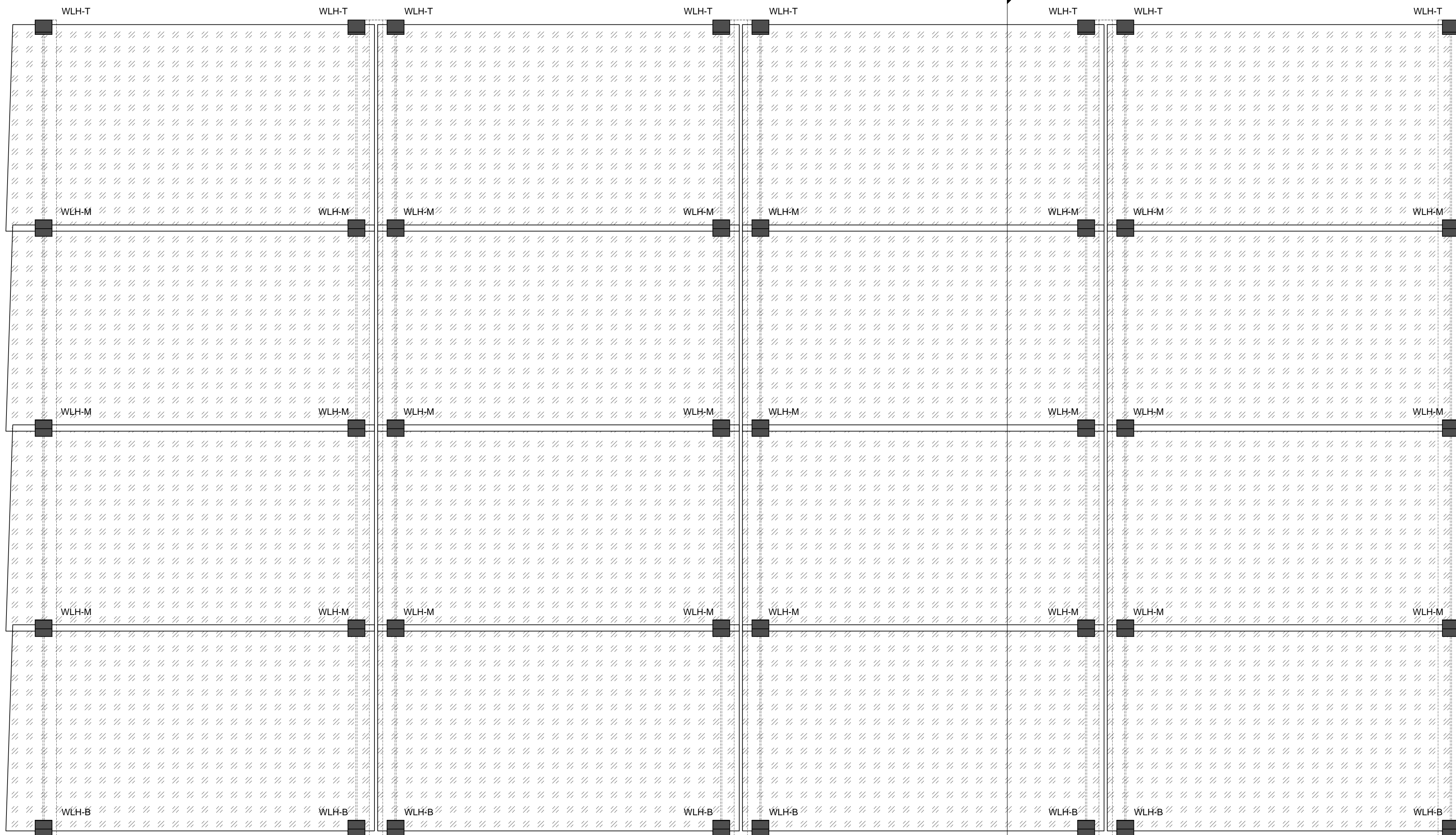
ABBREVIATIONS:

- WLH-T: WALL LIGHT HORIZONTAL TOP FITTING
- WLH-M: WALL LIGHT HORIZONTAL MIDDLE FITTING
- WLH-B: WALL LIGHT HORIZONTAL BOTTOM FITTING
- VJ: VERTICAL JOINT BETWEEN GLASS
- GB: GLASS BITE
- GS: GLASS SIZE



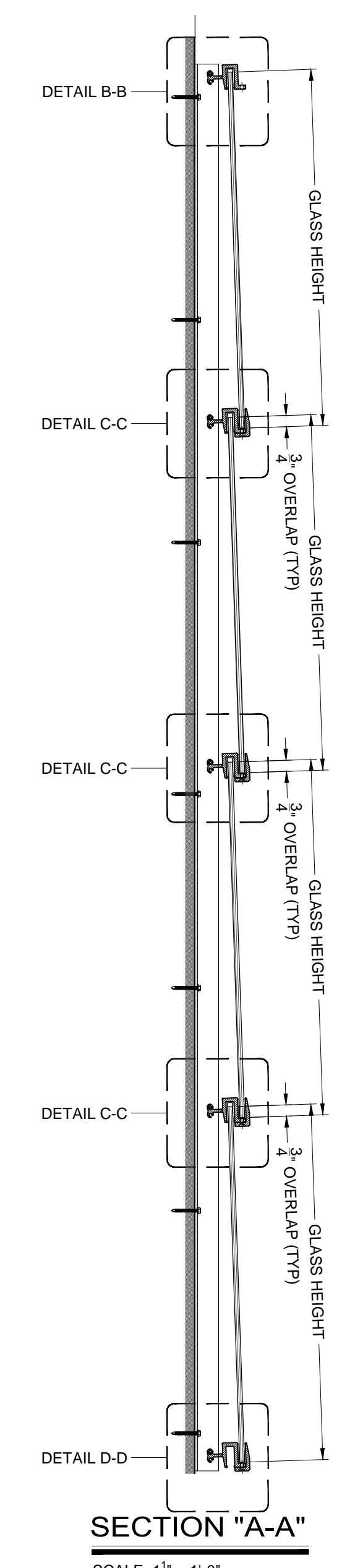
GLASS PANEL PLAN LAYOUT

SCALE 1 1/2" = 1'-0"



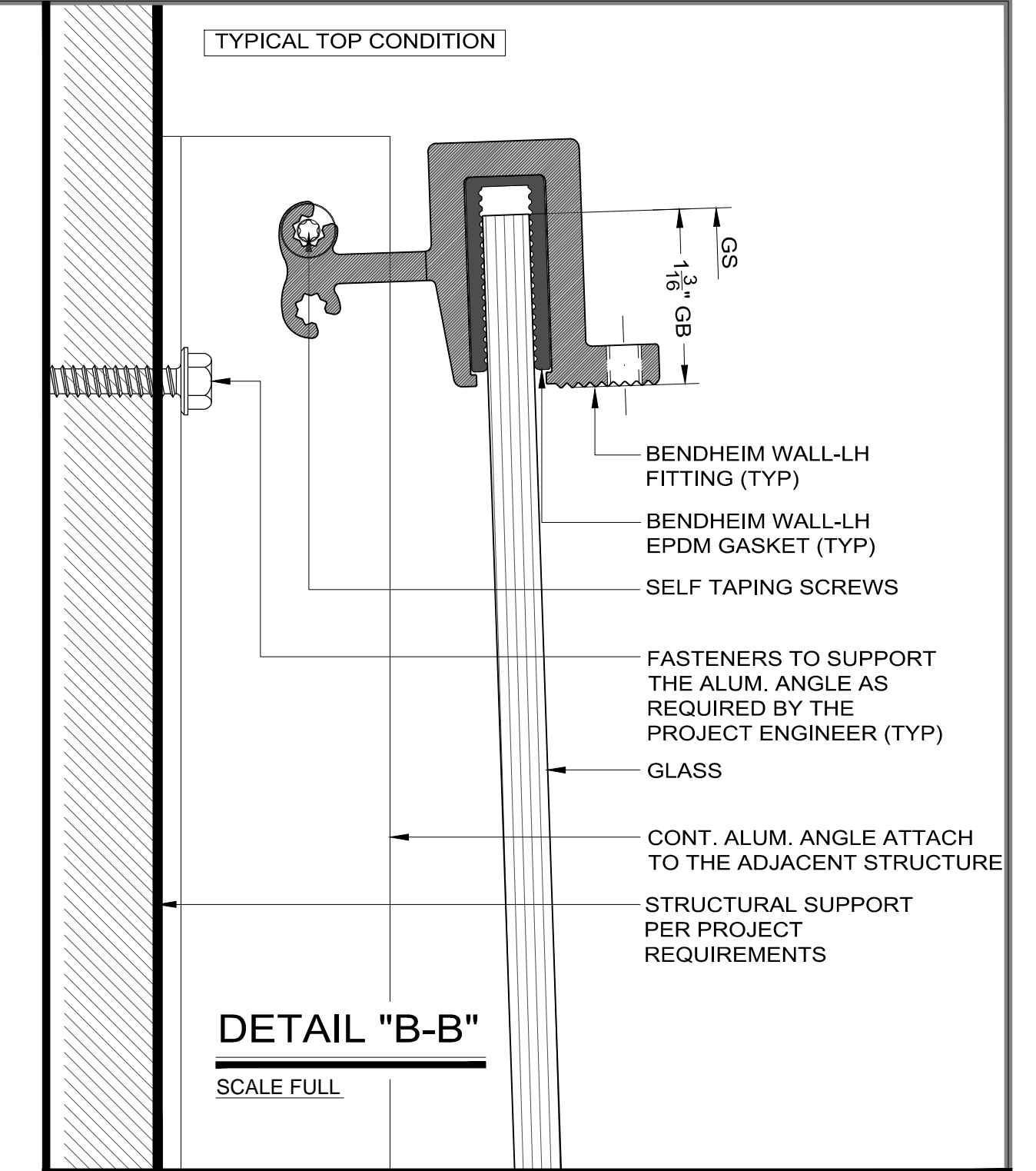
GLASS PANEL ELEVATION

SCALE 1 1/2" = 1'-0"



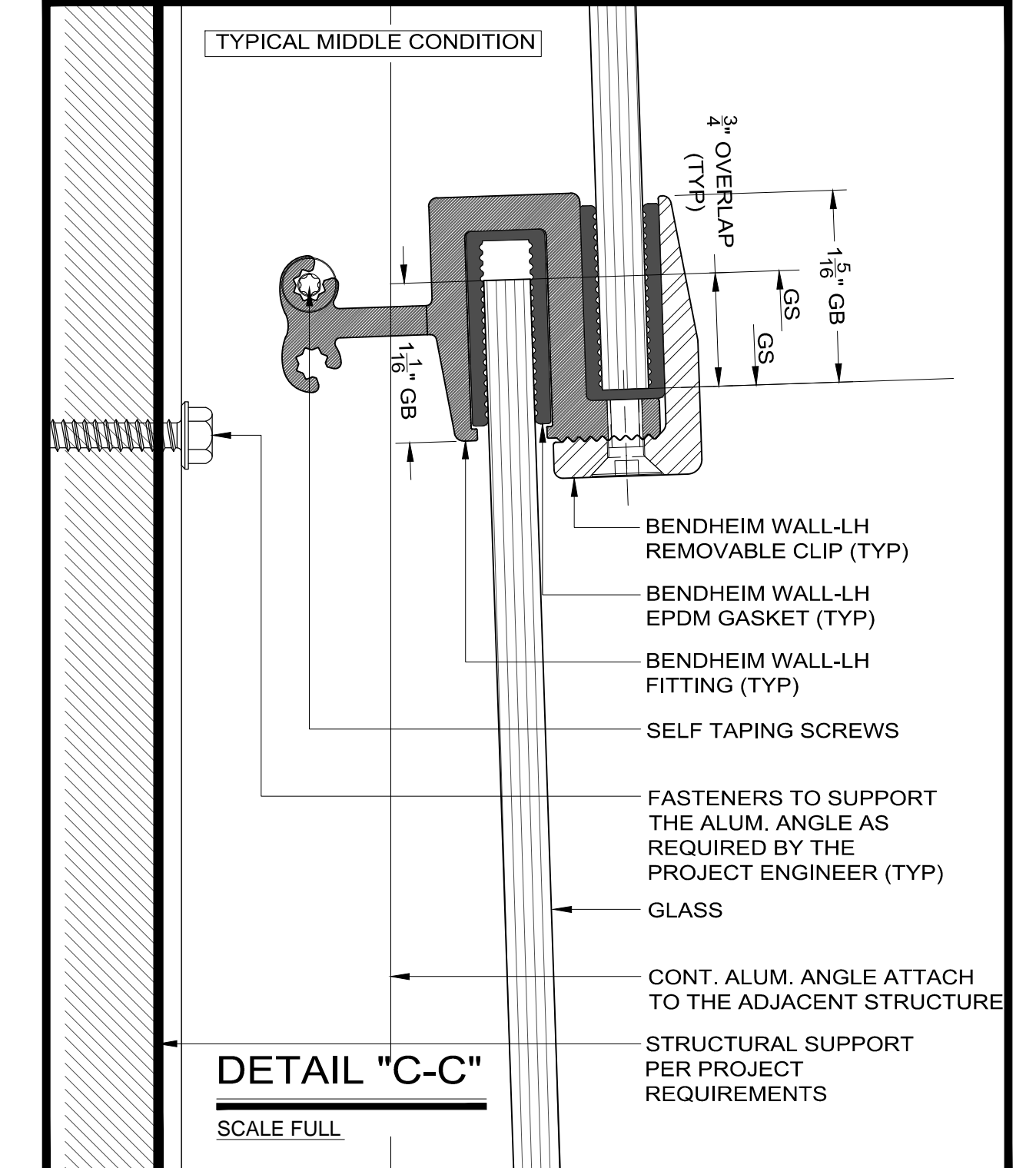
SECTION "A-A"

SCALE 1 1/2" = 1'-0"



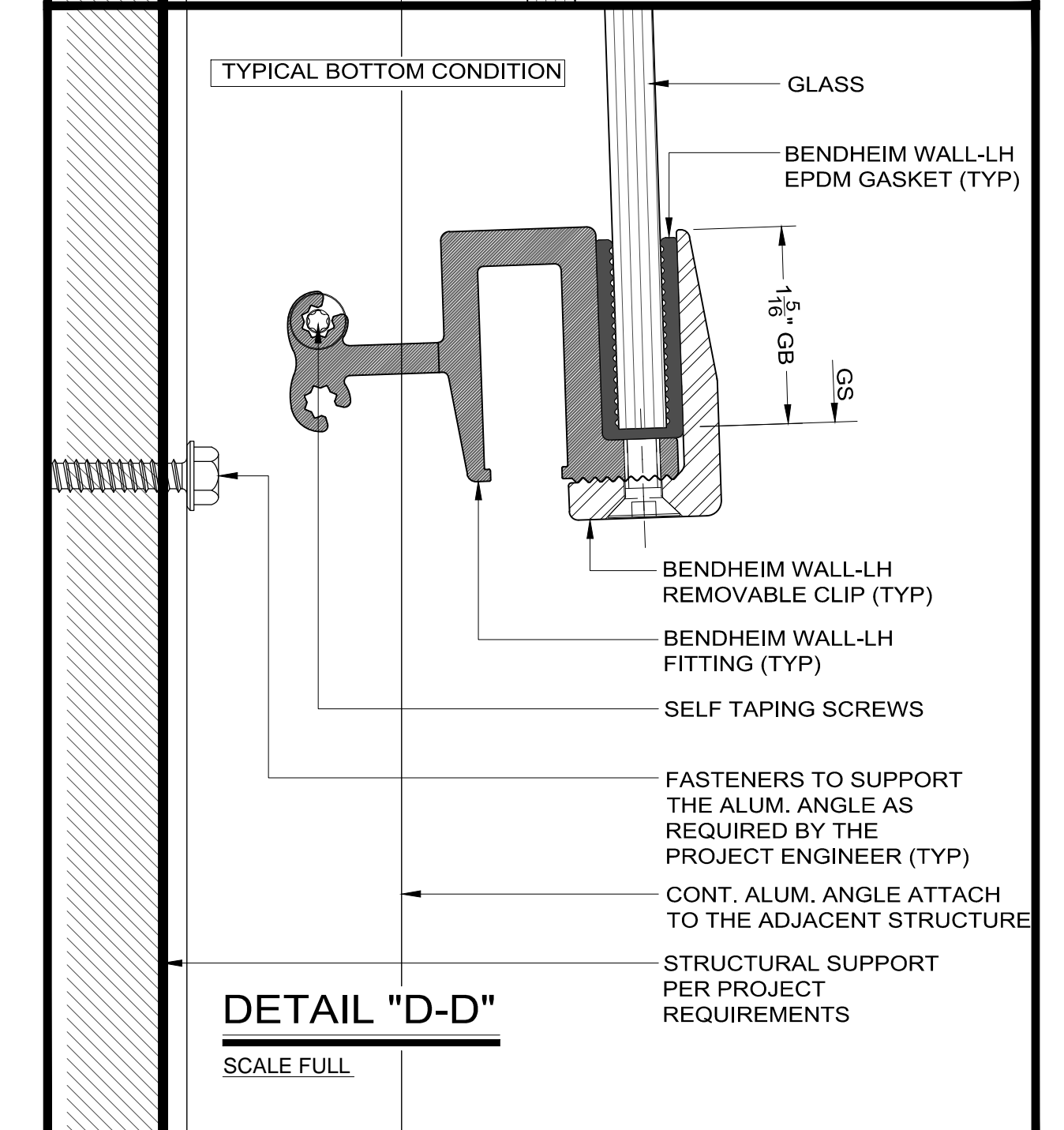
DETAIL "B-B"

SCALE FULL



DETAIL "C-C"

SCALE FULL



DETAIL "D-D"

SCALE FULL